

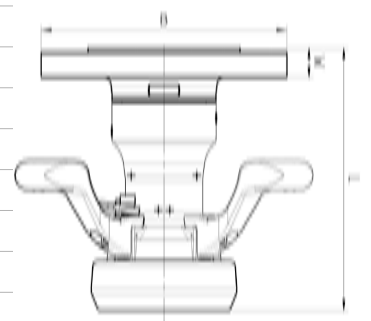
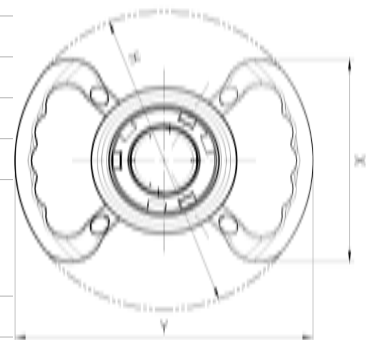
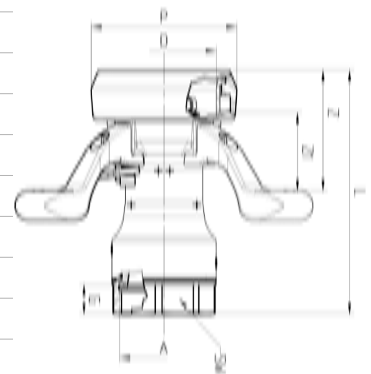
## Slangdel DN50 AI



|                                |                               |
|--------------------------------|-------------------------------|
| Part number                    | TXHU.050200.01101.01.01.01    |
| Material                       | Aluminium                     |
| Size (TX)                      | DN 50 / 2" (70mm)             |
| Material O-ring                | FKM                           |
| Connection                     | BSP (DIN ISO 228)             |
| Pressure stage                 | -                             |
| seal form                      | -                             |
| Connection form                | Female thread                 |
| A Connector size               | 2"                            |
| Handle color                   | black                         |
| Handle option                  | with handle                   |
| Serie                          | TX                            |
| Typ (TX)                       | HU                            |
| Range of operating temperature | -20°C to +80°C/ -4°F to 212°F |
| Weight [kg]                    | 1.20                          |

### Dimensions

|                              |              |
|------------------------------|--------------|
| SW Spanner width             | 65 mm/8-Kant |
| G Thread depth               | 20 mm        |
| D (∅ Interface)              | 70 mm        |
| P (∅ Impact protection ring) | 98 mm        |
| L Length                     | 164 mm       |
| H (∅ Handles)                | 200 mm       |
| Z (Distance handle front)    | 81 mm        |
| Z1 (Distance handle back)    | 53,3 mm      |
| X (Handle width)             | 136 mm       |
| Y (Coupling width)           | 200 mm       |



POSTADDRESS

MAILADDRESS

**AB TERGO**  
Box 5  
131 06 NACKA  
SWEDEN

PRODUKTION & LAGER

PRODUCTION & WAREHOUSE  
**AB TERGO PRODUKTION**  
PL 20991, Häradsvägen 231  
HÄRADSBYGDEN  
793 50 LEKSAND  
SWEDEN

TELEFON **08-447 55 90**

INTERNATIONAL TEL +468 447 55 90

TELEFAX **08-604 89 00**

INTERNATIONAL FAX +468 604 89 00

E-post **info@tergo.se**

E-mail **info@tergo.se**

Internet: **http://www.tergo.se**

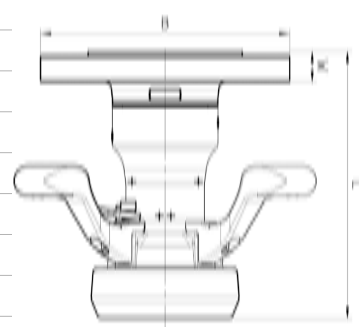
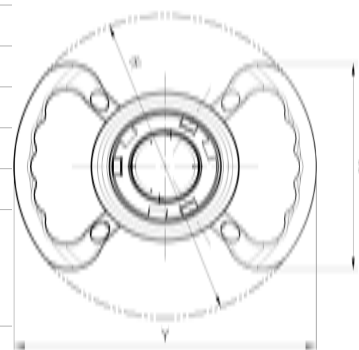
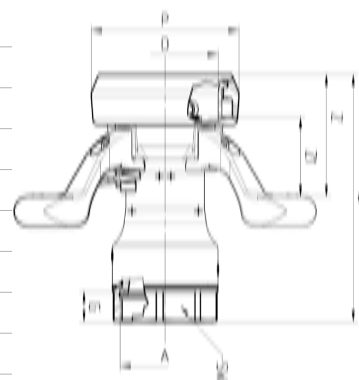
## Slangdel DN50 SS



|                                |                            |
|--------------------------------|----------------------------|
| Partnumber                     | TXHU.050200.11101.01.01.01 |
| Material                       | Stainless steel            |
| Size (TX)                      | DN 50 / 2" (70mm)          |
| Material O-ring                | FKM                        |
| Connection                     | BSP (DIN ISO 228)          |
| Pressure stage                 | -                          |
| seal form                      | -                          |
| Connection form                | Female thread              |
| A Connector size               | 2"                         |
| Handle color                   | black                      |
| Handle option                  | with handle                |
| Serie                          | TX                         |
| Type (TX)                      | HU                         |
| Range of operating temperature | -20°C to +150°C            |
| Weight [kg]                    | 2.40                       |

### Measurements

|                              |              |
|------------------------------|--------------|
| SW Spanner width             | 65 mm/8-Kant |
| G Thread depth               | 20 mm        |
| D (∅ Interface)              | 70 mm        |
| P (∅ Impact protection ring) | 98 mm        |
| L Length                     | 164 mm       |
| H (∅ Handles)                | 200 mm       |
| Z (Distance handle front)    | 81 mm        |
| Z1 (Distance handle back)    | 53,3 mm      |
| X (Handle width)             | 136 mm       |
| Y (Coupling width)           | 200 mm       |



POSTADDRESS

MAILADDRESS

**AB TERGO**  
Box 5  
131 06 NACKA  
SWEDEN

PRODUKTION & LAGER

PRODUCTION & WAREHOUSE  
**AB TERGO PRODUKTION**  
PL 20991, Häradsvägen 231  
HÄRADSBYGDEN  
793 50 LEKSAND  
SWEDEN

TELEFON **08-447 55 90**

INTERNATIONAL TEL +468 447 55 90

TELEFAX **08-604 89 00**

INTERNATIONAL FAX +468 604 89 00

E-post [info@tergo.se](mailto:info@tergo.se)

E-mail [info@tergo.se](mailto:info@tergo.se)

Internet: <http://www.tergo.se>

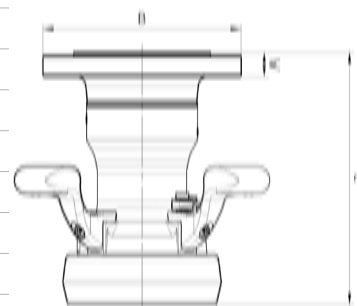
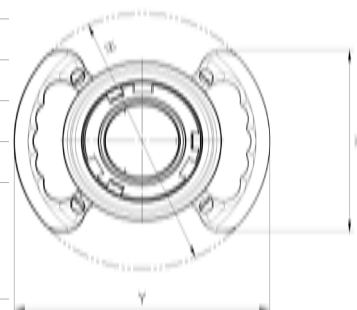
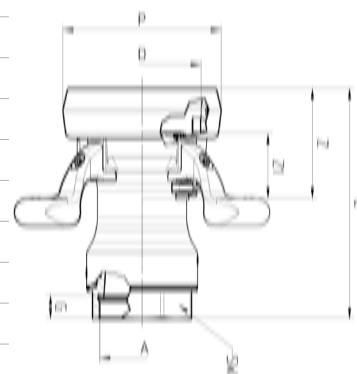
## Slangdel DN80 AI



|                                |                            |
|--------------------------------|----------------------------|
| Artikelnummer                  | TXHU.080300.01101.01.01.01 |
| Material                       | Aluminium                  |
| Size (TX)                      | DN 80 / 3" (119mm)         |
| Material O-ring                | FKM                        |
| Connection                     | BSP (DIN ISO 228)          |
| Pressure stage                 | -                          |
| seal form                      | -                          |
| Connection form                | Female thread              |
| A Connector size               | 3"                         |
| Handle color                   | black                      |
| Handle option                  | with handle                |
| Serie                          | TX                         |
| Typ (TX)                       | HU                         |
| Range of operating temperature | -20°C to +80°C             |
| Weight [kg]                    | 4.10                       |

### Measurements

|                              |               |
|------------------------------|---------------|
| SW Spanner width             | 100 mm/8-Kant |
| G Thread depth               | 24 mm         |
| D (∅ Interface)              | 119 mm        |
| P (∅ Impact protection ring) | 160 mm        |
| L Length                     | 232,5 mm      |
| H (∅ Handles)                | 258 mm        |
| Z (Distance handle front)    | 111 mm        |
| Z1 (Distance handle back)    | 65,5 mm       |
| X (Handle width)             | 184 mm        |
| Y (Coupling width)           | 258 mm        |



#### POSTADDRESS

#### MAILADDRESS

**AB TERGO**  
Box 5  
131 06 NACKA  
SWEDEN

#### PRODUKTION & LAGER

PRODUCTION & WAREHOUSE  
**AB TERGO PRODUKTION**  
PL 20991, Häradsvägen 231  
HÄRADSBYGDEN  
793 50 LEKSAND  
SWEDEN

#### TELEFON 08-447 55 90

INTERNATIONAL TEL +468 447 55 90

TELEFAX 08-604 89 00

INTERNATIONAL FAX +468 604 89 00

E-post [info@tergo.se](mailto:info@tergo.se)

E-mail [info@tergo.se](mailto:info@tergo.se)

Internet: <http://www.tergo.se>

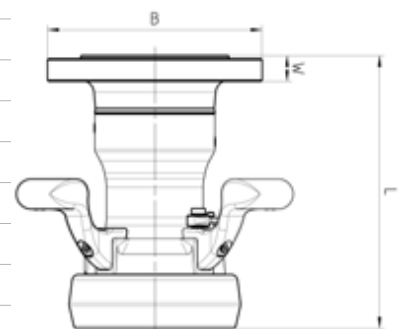
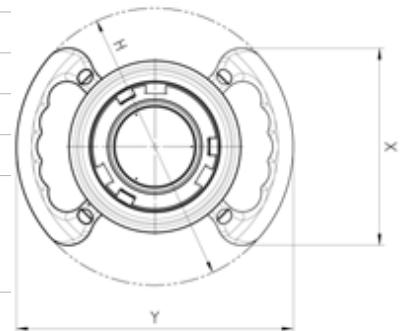
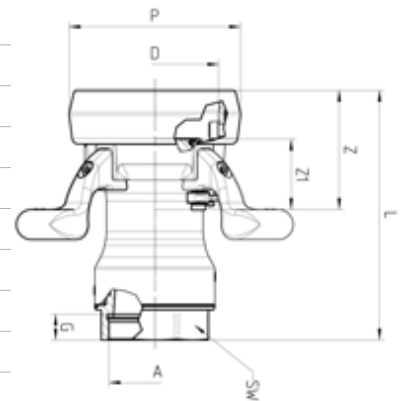
## Slangdel DN80 SS



|                                |                            |
|--------------------------------|----------------------------|
| Part number                    | TXHU.080300.11101.01.01.01 |
| Material                       | Stainless steel            |
| Size (TX)                      | DN 80 / 3" (119mm)         |
| Material O-ring                | FKM                        |
| Connection                     | BSP (DIN ISO 228)          |
| Pressure stage                 | -                          |
| seal form                      | -                          |
| Connection form                | Female thread              |
| A Connector size               | 3"                         |
| Handle color                   | black                      |
| Handle option                  | with handle                |
| Serie                          | TX                         |
| Typ (TX)                       | HU                         |
| Range of operating temperature | -20°C to +150°C            |
| Weight [kg]                    | 8.70                       |

### Measurements

|                              |               |
|------------------------------|---------------|
| SW Spanner width             | 100 mm/8-Kant |
| G Thread depth               | 24 mm         |
| D (Ø Interface)              | 119 mm        |
| P (Ø Impact protection ring) | 160 mm        |
| L Length                     | 232,5 mm      |
| H (Ø Handles)                | 258 mm        |
| Z (Distance handle front)    | 111 mm        |
| Z1 (Distance handle back)    | 65,5 mm       |
| X (Handle width)             | 184 mm        |
| Y (Coupling width)           | 258 mm        |



POSTADDRESS

MAILADDRESS

**AB TERGO**  
Box 5  
131 06 NACKA  
SWEDEN

PRODUKTION & LAGER

PRODUCTION & WAREHOUSE  
**AB TERGO PRODUKTION**  
PL 20991, Häradsvägen 231  
HÄRADSBYGDEN  
793 50 LEKSAND  
SWEDEN

TELEFON **08-447 55 90**

INTERNATIONAL TEL +468 447 55 90

TELEFAX **08-604 89 00**

INTERNATIONAL FAX +468 604 89 00

E-post **info@tergo.se**

E-mail **info@tergo.se**

Internet: **http://www.tergo.se**

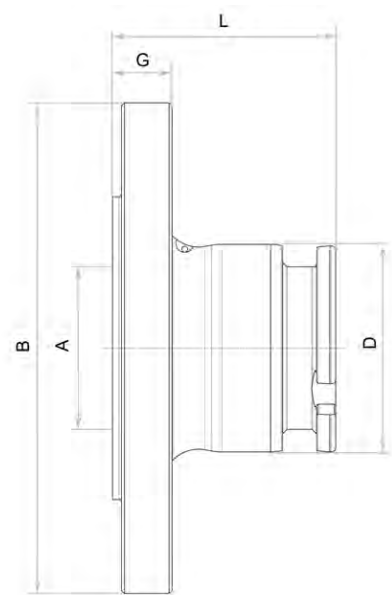
## Tankdel DN50 PN16 SS



|                                |                   |
|--------------------------------|-------------------|
| Part number                    | TXTU.050850.11313 |
| Material                       | Stainless steel   |
| Size (TX)                      | DN 50 / 2" (70mm) |
| Material O-ring                | FKM               |
| Connection                     | EN 1092-1         |
| seal form                      | Form B            |
| Connection form                | Flange            |
| A Connector size               | DN 50             |
| Pressure stage                 | PN 16             |
| Serie                          | TX                |
| Typ (TX)                       | TU                |
| Range of operating temperature | -20°C to +150°C   |
| Weight [kg]                    | 3.20              |

### Dimensions

|                    |        |
|--------------------|--------|
| SW Spanner width   | -      |
| Thread depth       | -      |
| D (∅ Interface)    | 70 mm  |
| B ∅ Flange         | 165 mm |
| G Thickness flange | 18 mm  |
| L Length           | 75 mm  |



#### POSTADDRESS

#### MAILADDRESS

**AB TERGO**  
Box 5  
131 06 NACKA  
SWEDEN

#### PRODUKTION & LAGER

PRODUCTION & WAREHOUSE  
**AB TERGO PRODUKTION**  
PL 20991, Häradsvägen 231  
HÄRADSBYGDEN  
793 50 LEKSAND  
SWEDEN

#### TELEFON 08-447 55 90

INTERNATIONAL TEL +468 447 55 90  
**TELEFAX 08-604 89 00**  
INTERNATIONAL FAX +468 604 89 00  
E-post [info@tergo.se](mailto:info@tergo.se)  
E-mail [info@tergo.se](mailto:info@tergo.se)  
Internet: <http://www.tergo.se>

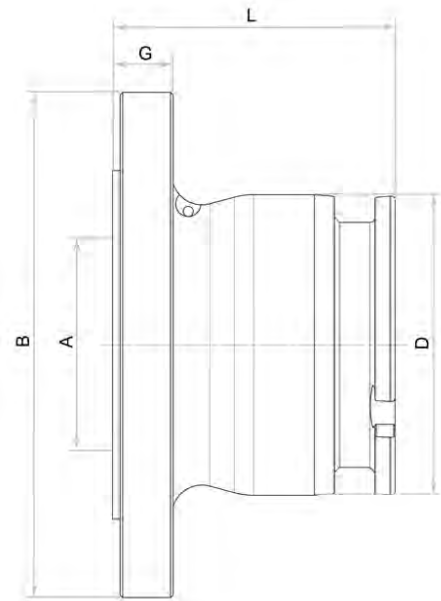
## Tankdel DN80 PN16 SS



|                                |                    |
|--------------------------------|--------------------|
| Part number                    | TXTU.080880.11313  |
| Material                       | Stainless steel    |
| Size (TX)                      | DN 80 / 3" (119mm) |
| Material O-ring                | FKM                |
| Connection                     | EN 1092-1          |
| seal form                      | Form B             |
| Connection form                | Flange             |
| Pressure stage                 | PN 16              |
| A Connector size               | DN 80              |
| Serie                          | TX                 |
| Typ (TX)                       | TU                 |
| Range of operating temperature | -20°C to +150°C    |
| Weight [kg]                    | 2.80               |

### Dimensions

|                    |        |
|--------------------|--------|
| SW Spanner width   | -      |
| Thread depth       | -      |
| D (∅ Interface)    | 119 mm |
| B ∅ Flange         | 200 mm |
| G Thickness flange | 20 mm  |
| L Length           | 112 mm |



POSTADDRESS

MAILADDRESS

**AB TERGO**  
Box 5  
131 06 NACKA  
SWEDEN

PRODUKTION & LAGER

PRODUCTION & WAREHOUSE

**AB TERGO PRODUKTION**  
PL 20991, Häradsvägen 231  
HÄRADSBYGDEN  
793 50 LEKSAND  
SWEDEN

TELEFON **08-447 55 90**

INTERNATIONAL TEL +468 447 55 90

TELEFAX **08-604 89 00**

INTERNATIONAL FAX +468 604 89 00

E-post [info@tergo.se](mailto:info@tergo.se)

E-mail [info@tergo.se](mailto:info@tergo.se)

Internet: <http://www.tergo.se>